



Project Name: _____
 Specifier: _____
 Distributor: _____
 Quantity: _____ Type: _____
 Signature: _____

GRO-M Series

The Innovative Line of



MR-16 Lighting Solutions

G R O M Series in low to medium ceiling heights typically found in residential, commercial or retail applications. GRO-M Series fixtures utilize a wider aperture lens to maximize light spread and minimizing light cut-off. The Graffiti™ fixtures provide cost effective MR-16 lighting solutions. As the creative spirit of its name implies, Graffiti™ systems provide all the quality SLI has grown famous for over the last 25 years, but at reduced lead times, affordable price points and innovative technologies that will liberate your creative flair.

ADJUSTABLE/FIXED

SPECIFICATIONS

MOUNTING - Recessed in architectural ceiling. Butterfly brackets and Hanger bars included with housing and mounting pans.

- **IC** - Housing for new construction where insulation comes in contact with fixture
- **NIC** - Housing for new construction where IC not required
- **IH** - International Housing (Open Housing- no transformer included)
- **AH** - Airtight Housing (Non IC)
- **CP** - Chicago Plenum

TRIM - One piece die cast aluminum, flanged or flangeless trim with a regressed surface . Available for wet locations.

Accommodates up to 1" ceiling thickness as standard.

- **ZT/ZST** - for use in plaster/GWB ceilings
- **FT/FST** - for use in architectural ceilings

ELECTRICAL

- **Magnetic (TX)**
- **Electronic SORAA (EXS)** Powered by SORAA

LAMP

- **MR16** - 50W Max. (37W Max for IC/Airtight/CP) , Available as GU10
- **SMRA** - Sorra Retrofit

LENS/OPTICS - Interchangeable reflector provides multiple beam patterns.

Field-changeable optics

* Optional lenses available for aperture include Solite and Veiling Acrylic.

Accepts two optical accessories and an optional trim mounted lens.

FINISH - Black powder paint housing. Aper. trim available in white as standard. Can be field painted to match ceiling finish.

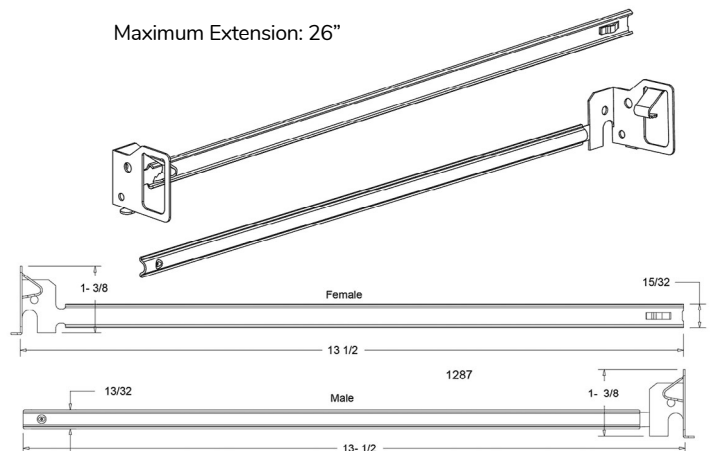
WARRANTY - 2 year limited on MR-16 and transformer.

See website for details.

LABELS -  , US tested to UL standards 1598, Dry/Damp and Wet listings.

IC/Airtight, Chicago Plenum,  compliant, 

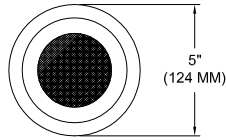
ACCESSORY - 1287 Hanger Bar comes standard with IC/NIC/CP Housing*



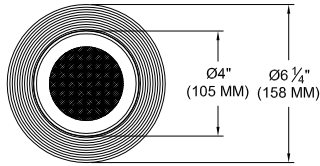
INFORMATION- TRIM



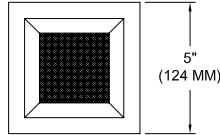
ROUND/ FLANGED



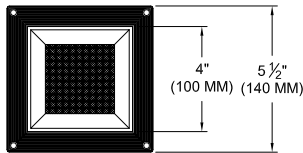
ROUND / FLANGELESS



SQUARE / FLANGED



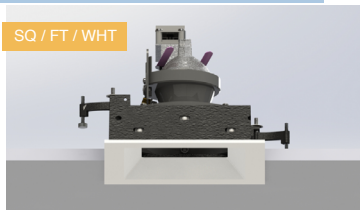
SQUARE / FLANGELESS



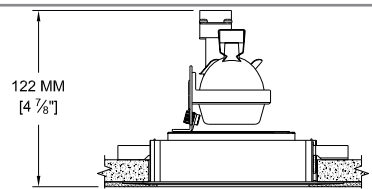
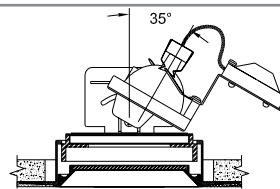
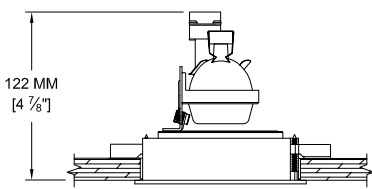
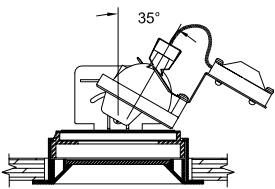
INFORMATION- HOUSING

For easy installation in existing ceilings.

SQ / FT / WHT



RD / ZT / WHT

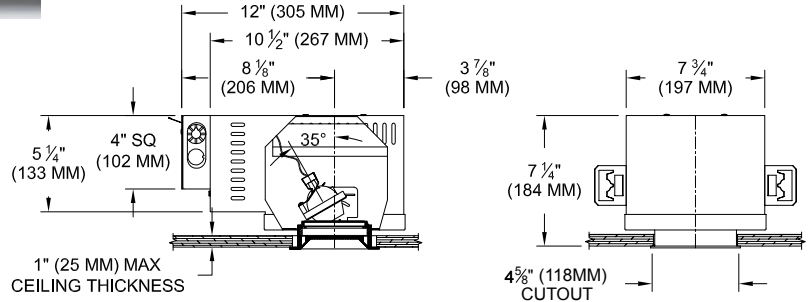
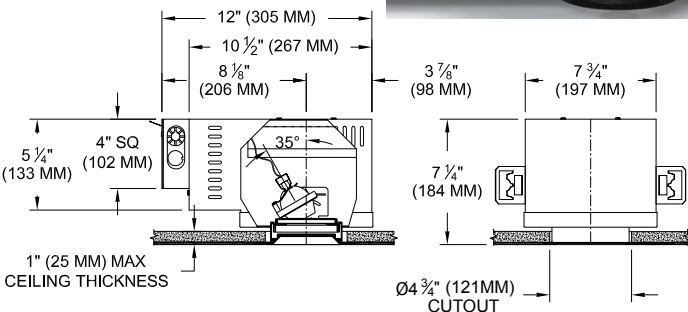
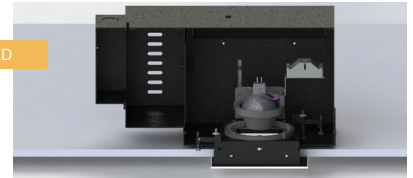


*For projects requiring housings or IC rated fixtures. IC and CP housings will have no vents.

ROUND/FLANGELESS



SQUARE/FLANGED



ORDER INFO

Graffiti™ Housing

CODE

GRO-M

Housing

- IC = IC
- NIC = Non IC
- IH = International Housing (Open Housing- no transformer included)
- AH = Airtight Housing (Non IC)
- CP = Chicago Plenum

Source/Wattage/Lumens/Delivered

- MR37 = MR-16 / 37W Max for IC/Airtight/CP
- MR50 = MR-16 / 50W
- GUMR = MR-16 GU10

SMRA = SORAA Retrofit

Type

- F = Fixed
- A = Adjustable

Transformer

- TX = Magnetic
- EXS = Electronic SORAA
- GX = GU10 Socket* *GU10 requires 120V

Voltage

- 120V
- 277V

Graffiti™ Trim

GROT-M

Shape

- RD = Round
- SQ = Square

Trim

*Lens Required

- FT = Flanged FST* = Flanged Shower TEX2 = Extension Clips
- ZT = Flangeless ZST* = Flangeless Shower

Finish

WHT

WHT = White

Lens

91A = Solite

[* CLICK HERE to view Accessories for Trims.](#)